

NexiusZoom

The new standard in stereo microscopy



STEREO MICROSCOPES
FOR MATERIAL AND
LIFE SCIENCES

 **euromex**[®]

ENGLISH

Top level zoom microscopes

The NexiusZoom stereo microscopes from Euromex enable to examine your specimen with high-performance precision and generate two- and three dimensional images allowing observation for your highest demanding microscopy applications

These top level zoom microscopes are perfect for analysing all kinds of material surfaces or to observe larger biological samples



NZ.1903-S

KEY FEATURES

- Binocular and trinocular heads
- HWF 10x / 22 mm eyepieces
- Zoom 1 : 6.7 ratio, 6.7x to 45x standard
- 3 W LED illuminations
- 10 years warranty
- Articulated arm stand
- Universal and boom stands
- Pillar and rack & pinion stands
- Ergonomically designed
- Configurations up to 180x magnification



NZ.1902-S

Unsurpassed images

The unsurpassed optical performance of the NexiusZoom stereo microscopes provides a stunning image over the complete zoom range with an optimal relation between resolution and depth of field

Images with the highest possible brightness at magnifications from 3.3 up to 180 times can be achieved due to enhanced LED technology and the possibility to use a variety of auxiliary lenses

HEADS

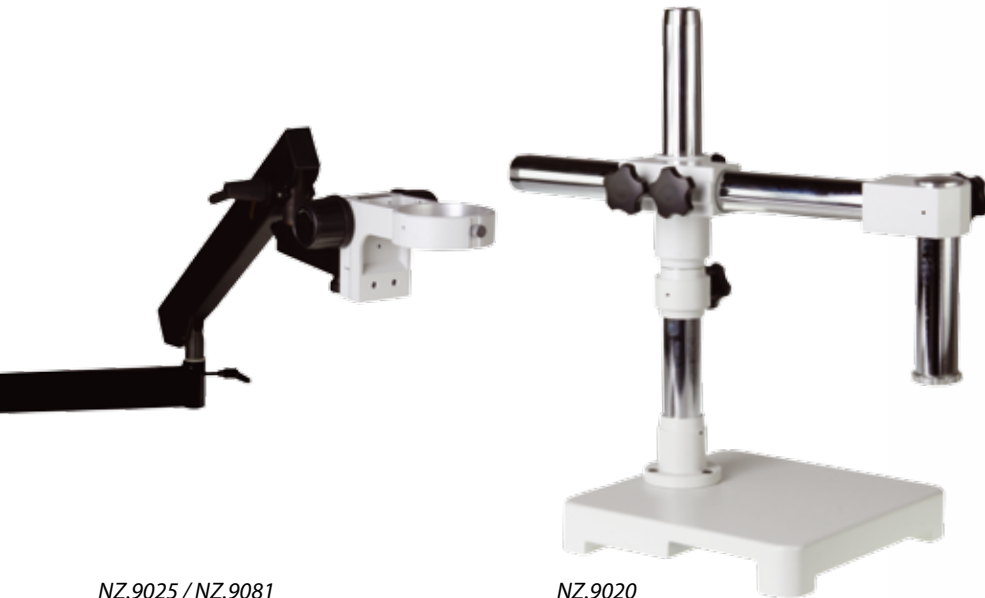
- Binocular or trinocular heads with 45° inclined tubes
- HWF 10x / 22 mm eyepieces
- Both eyepieces with ± 5 diopter adjustments
- Interpupillary distance adjustable between 54 mm and 75 mm
- Fully parfocal over the complete zoom range
- Suitable for spectacle wearers
- C-mount camera and SLR camera adapters available

Stands to match each application

Enjoy the ergonomical stands that have been designed for the NexiusZoom in order to ensure long microscopy sessions without fatigue

The NexiusZoom comes in several variations like the pillar stand, rack & pinion stand but also stable swingarm stand, which is ideal to handle large samples

Even an articulated stand for table mounting is available for which one can choose one of the Euromex LED ring light or cold light systems



NZ.9025 / NZ.9081

NZ.9020

STANDS

- Ergonomically designed pillar stand with incident and transmitted LED illumination and 2 object clamps
- Ergonomically designed rack & pinion stand with incident and transmitted LED illumination and 2 object clamps
- Ergonomically designed universal and boom stands without illumination
- Articulated arm stand for table mounting



NZ.1903-B

OBJECTIVE

- Zoom 1 : 6.7 objective with 0.67x to 4.5x magnification
- Field of view from 33 to 4.9 mm
- Working distance 110 mm
- Auxiliary lenses 0.5x , 0.75x, 1.5x and 2.0x available
- All optical parts are anti-fungus treated

ILLUMINATION

- The 3 W transmitted and incident LED illuminators can be used simultaneously while both light intensities can be adjusted separately
- Cold light and LED ring light illuminators are optionally available

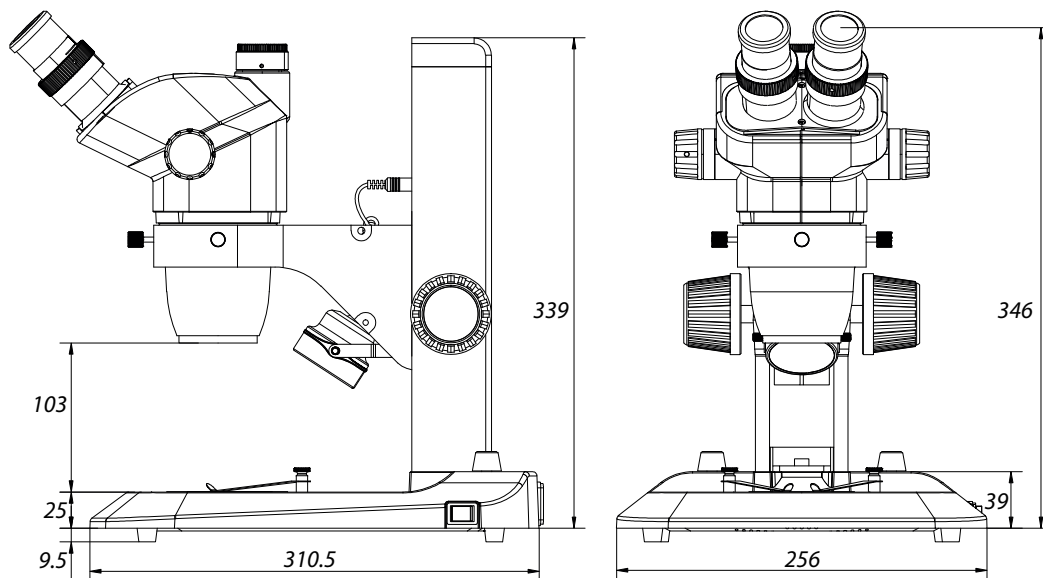
MAGNIFICATIONS

Working distance and field of view with standard HWF 10x / 22 High Wide Field eyepieces

Zoom indication	Auxiliary lens 0.5x working distance 165 mm		Auxiliary lens 0.75x working distance 120 mm		Objective 1x (standard) working distance 110 mm		Auxiliary lens 1.5x working distance 45 mm		Auxiliary lens 2x working distance 30 mm	
	Total magnification	Field of view in mm	Total magnification	Field of view in mm	Total magnification	Field of view in mm	Total magnification	Field of view in mm	Total magnification	Field of view in mm
0.67	3.35	65.7	5.0	44.0	6.7	32.8	10.0	22.0	13.4	16.4
0.7	3.5	62.9	5.3	41.9	7.0	31.4	10.5	21.0	14.0	15.7
0.8	4.0	55.0	6.0	36.7	8.0	27.5	12.0	18.3	16.0	13.8
1.0	5.0	44.0	7.5	29.3	10.0	22.0	15.0	14.7	20.0	11.0
1.5	7.5	29.3	11.3	19.6	15.0	14.7	22.5	9.8	30.0	7.3
2.0	10.0	22.0	15.0	14.7	20.0	11.0	30.0	7.3	40.0	5.5
3.0	15.0	14.7	22.5	9.8	30.0	7.3	45.0	4.9	60.0	3.7
4.0	20.0	11.0	30.0	7.3	40.0	5.5	60.0	3.7	80.0	2.8
4.5	22.5	9.8	33.8	6.5	45.0	4.9	67.5	3.3	90.0	2.4

FEATURES

Models	Binocular	Trinocular	Pillar stand	Rack & pinion stand	Universal stand	Boom stand	Articulated arm stand
NZ.1902-P	•		•				
NZ.1902-S	•			•			
NZ.1902-U	•				•		
NZ.1902-B	•					•	
NZ.1902-A	•						•
NZ.1903-P		•	•				
NZ.1903-S		•		•			
NZ.1903-U		•			•		
NZ.1903-B		•				•	
NZ.1903-A		•					•



Accessories

NZ.5302 NexiusZoom binocular head with eyepieces

NZ.5303 NexiusZoom trinocular head with eyepieces

NZ.6010 Pair HWF 10x / 22 mm eyepieces

NZ.6015 Pair HWF 15x / 16 mm eyepieces

NZ.6020 Pair HWF 20x / 12 mm eyepieces

NZ.6110 HWF 10x / 22 mm eyepiece with micrometer

NZ.6099 Pair of eyecups

NZ.8905 Auxiliary lens 0.5x, working distance 165 mm
(not suitable for NZ.1902-S and NZ.1903-S)

NZ.8907 Auxiliary lens 0.75x, working distance 120 mm

NZ.8915 Auxiliary lens 1.5x, working distance 45 mm

NZ.8920 Auxiliary lens 2.0x, working distance 30 mm
(not suitable for NZ.1902-S and NZ.1903-S)

NZ.8950 Protection glass for NexiusZoom head

NZ.9010 Ergonomical rack & pinion stand
(with transmitted and incident LED illuminators)

NZ.9015 Ergonomical pillar stand
(with transmitted and incident LED illuminators)

NZ.9020 Universal (single arm) stand
(without NexiusZoom head holder)

NZ.9030 Boom (double arm) stand
(without NexiusZoom head holder)

NZ.9090 NexiusZoom head holder
(for NZ.9020 and NZ.9030)

NZ.9025 Articulated arm stand with table clamp
(without NexiusZoom head holder)

NZ.9081 Head 76 mm holder
(for black universal stand NZ.9025)

NZ.9956 Pair of stage plates

*(for NexiusZoom NZ.9010 and NZ.9015 stand;
black and white plate)*

NZ.9570 Pair of object clamps for stage

NZ.9833 C-mount adapter with 0.33x lens for 1/3" cameras
(suitable for NZ.1903 models)

NZ.9850 C-mount adapter with 0.5x lens for 1/2" cameras
(suitable for NZ.1903 models)

AE.5130 Universal SLR adapter with built-in 2x lens
for standard 23.2 mm tube
(needs T2 adapter)

AE.5020 T2 adapter for Nikon D digital SLR cameras

AE.5040 T2 adapter for Canon EOS digital SLR cameras

Other T2 adapters on request

LE.1972 Ring light illuminator
(with 60 LEDs and segment controller)

LE.1973 Ring light illuminator
(with 144 LEDs and segment controller)

AE.1112 Object micrometer 50 mm
(divided in 500 parts on glass slide 76 x 26 mm)

*Other illumination options can be
found in our dedicated brochure*



NZ.8907 / NZ.8905 / NZ.8915



NZ.5302 / NZ.5303

NexiusZoom

The new standard in stereo microscopy

by euromex



Euromex Microscopen bv

is a leading manufacturer of microscopes and other optical instruments. Founded in 1966, Euromex has become a world-class supplier of biological and stereo microscopes

The corporate office is based in Arnhem, The Netherlands. A facility with a 2.000 m² conditioned logistics warehouse, an optomechanical workshop, an R&D department and a high-level quality control department

Around the world, Euromex operates in more than 80 countries through distributors, resellers and agents. A wide variety of customers such as schools and educational institutes, clinical and research laboratories and a broad range of industrial customers are using Euromex microscopes



Euromex microscopen bv

info@euromex.com
www.euromex.com

Papenkamp 20
6836 BD Arnhem
The Netherlands
Tel: +31 (0) 26 323 22 11

Carretera de Barcelona 88, Entresuelo
Edificio Technomar
08302 Mataró, Spain
Tel: +34 (0) 937 415 609

Euromex is a registered trademark of Euromex Microscopen bv. The information contained herein is subject to change without notice. All rights reserved.



Management
System
ISO 9001:2008
www.tuv.com
ID 0000037140

The Euromex Quality System is certified according to ISO 9001:2008 and supports our pursuit of continuous improvement and our on-going commitment to provide our world-wide customers assurance of product quality